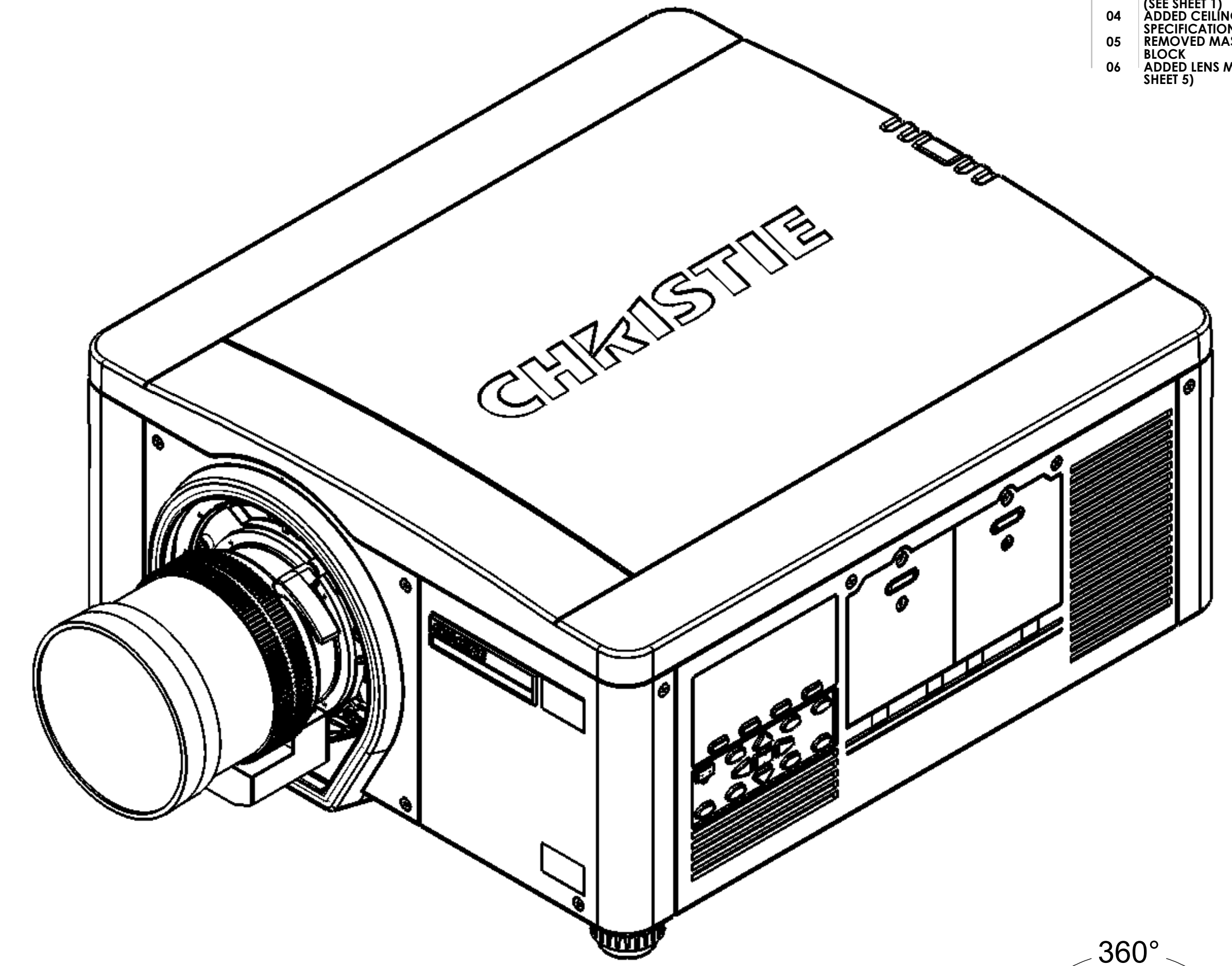
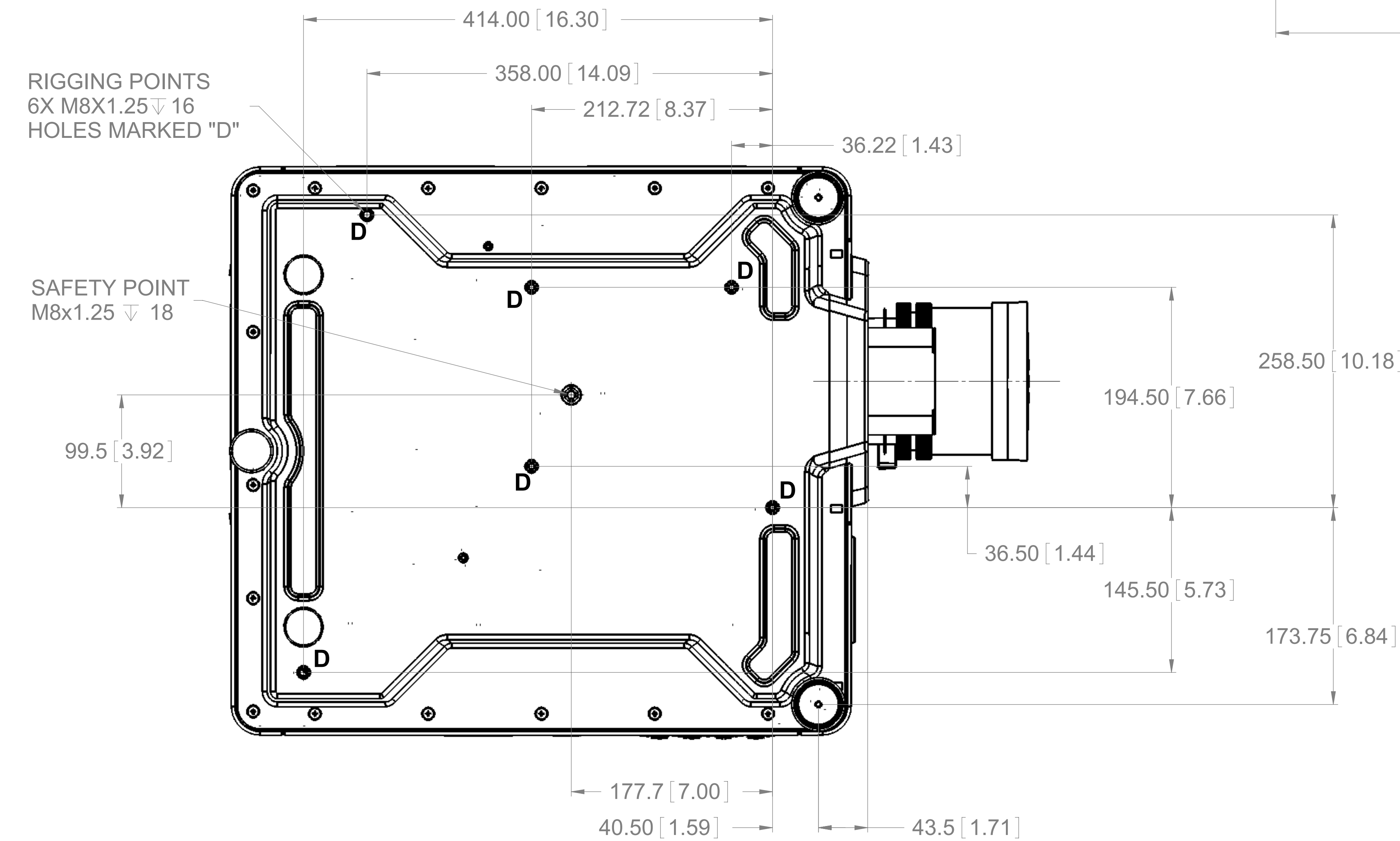
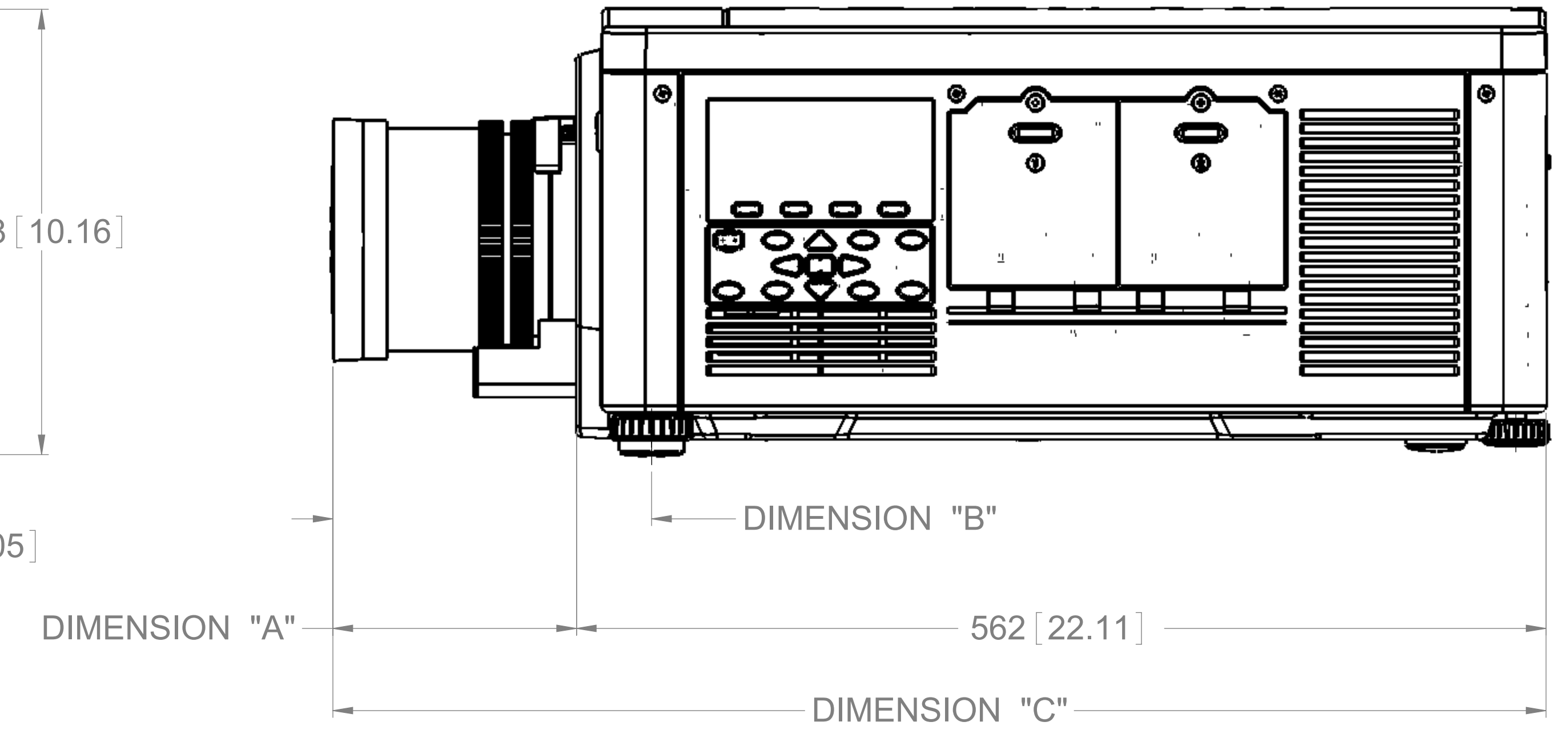
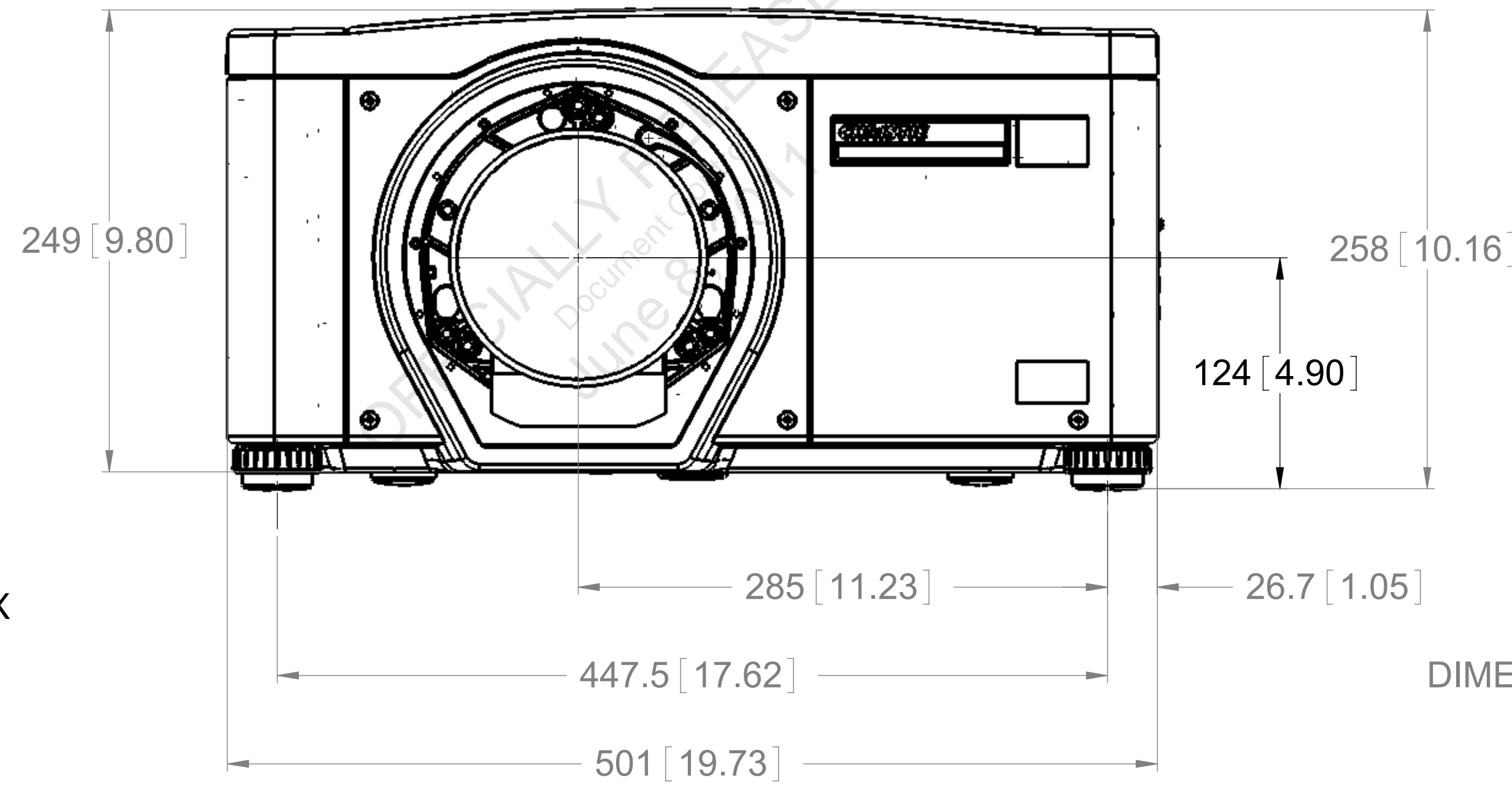
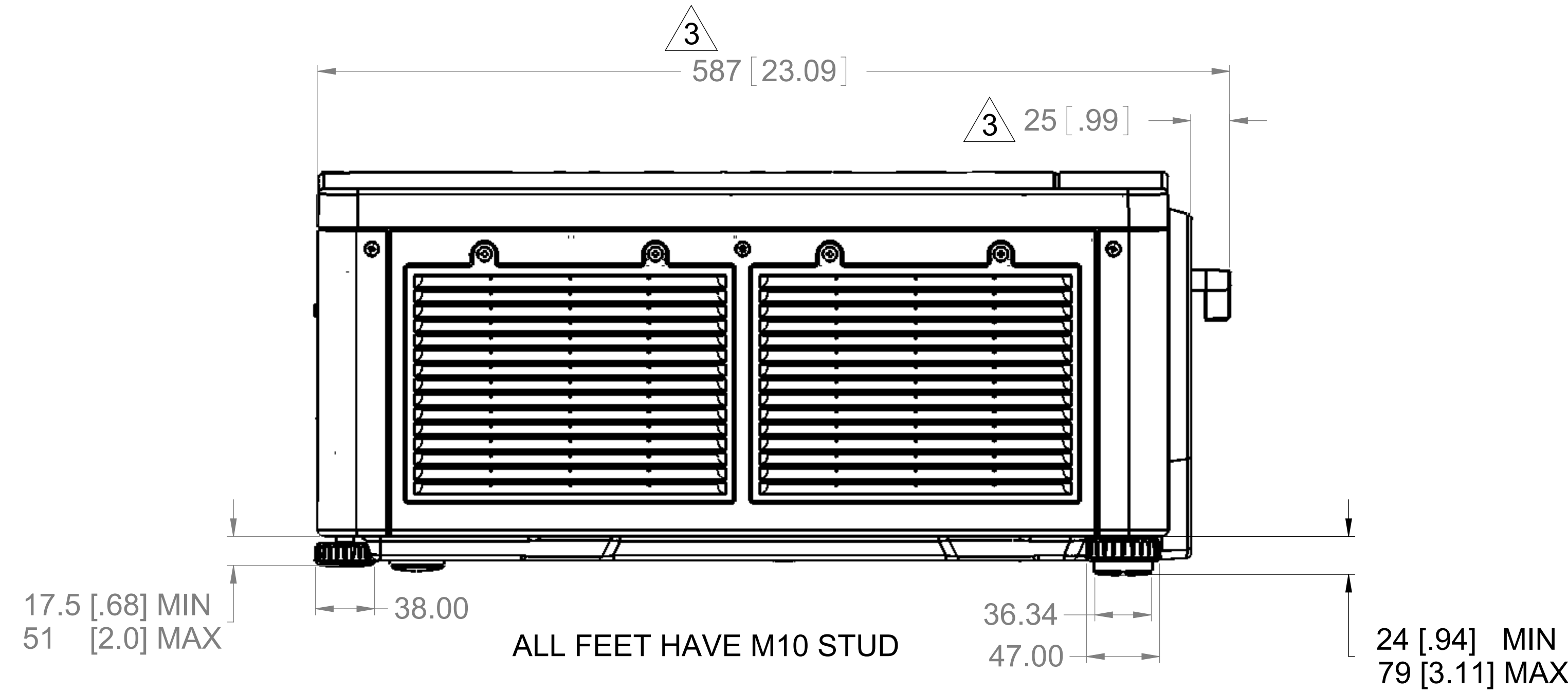
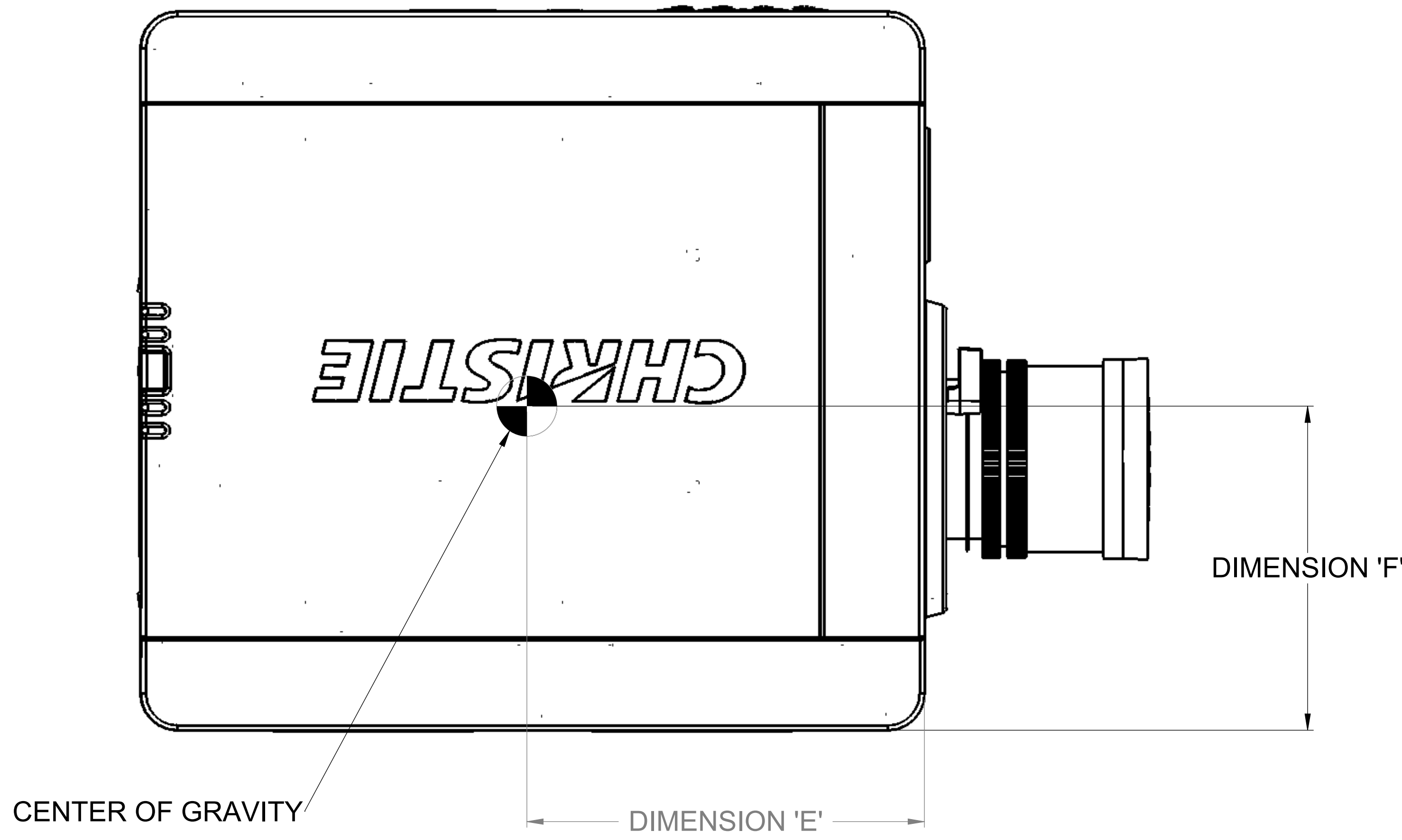
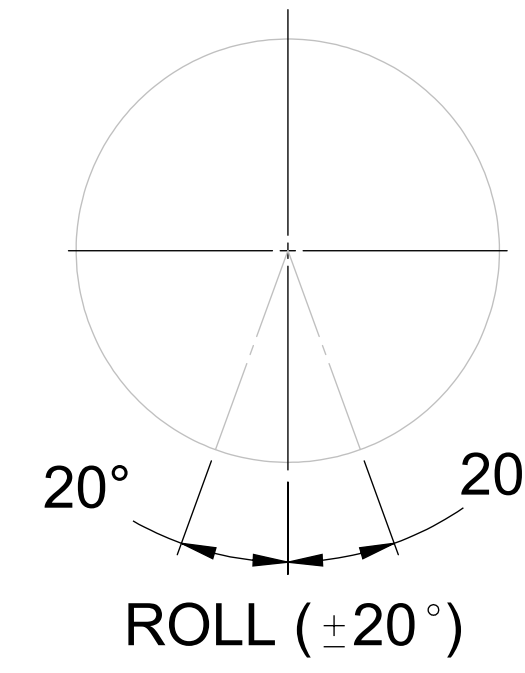
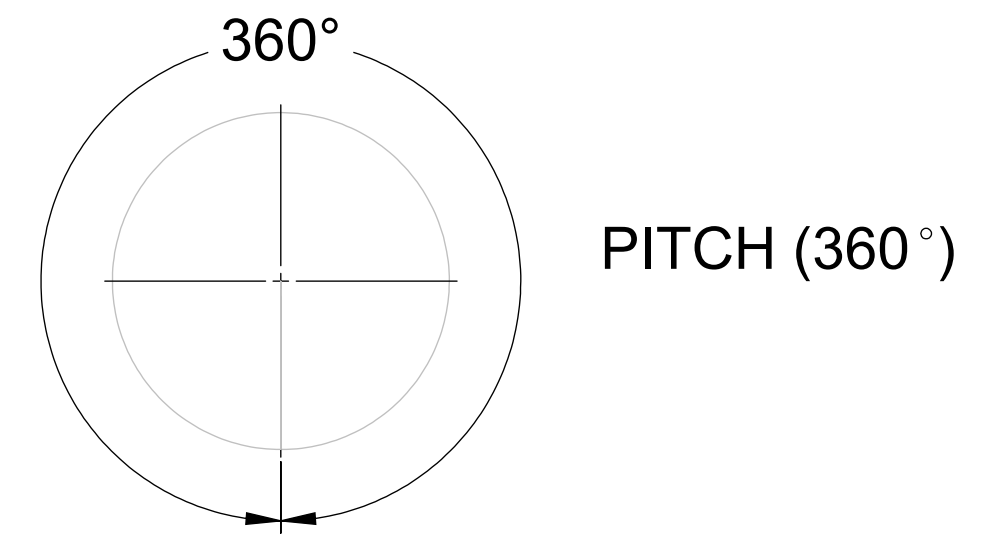


REV	DESCRIPTION OF CHANGE	BY	REV DATE
01	INITIAL RELEASE	MO	07/10/2008
02	ADDED CHRISTIE MODEL AND PROJECTION LENSES INFO	MO	10/17/2008
03	ADDED DIMENSION MARKED	MO	11/11/2009
04	SEE SHEET 1	CB	11/20/2009
05	ADDED CEILING MOUNT SPECIFICATIONS	SI	11/30/2010
06	REMOVED MASS FROM TITLE BLOCK ADDED LENS MASS TABLE (SEE SHEET 5)	TC	05/24/2011

LENS	DIMENSION 'E'	DIMENSION 'F'
SXGA+ 0.73:1 HD 0.67:1	206mm [8.11"]	214mm [8.43"]
SXGA+ 1.2:1 HD 1.1:1	204mm [8.03"]	216mm [8.50"]
SXGA+ 1.25-1.6:1 HD 1.16-1.49:1	207mm [8.15"]	219mm [8.62"]
SXGA+ 1.5-2.0:1 HD 1.4-1.8:1	213mm [8.39"]	207mm [8.15"]
SXGA+ 2.0-2.8:1 HD 1.8-2.6:1	221mm [8.70"]	211mm [8.31"]
SXGA+ 2.8-4.5:1 HD 2.6-4.1:1	216mm [8.50"]	220mm [8.66"]
SXGA+ 4.5-7.5:1 HD 4.1-6.9:1	231mm [9.09"]	213mm [8.39"]
SXGA+ 7.5-11:1 HD 6.9-10.4:1	212mm [8.35"]	214mm [8.43"]
WITHOUT PROJECTION LENS	277mm [10.92"]	226mm [8.90"]



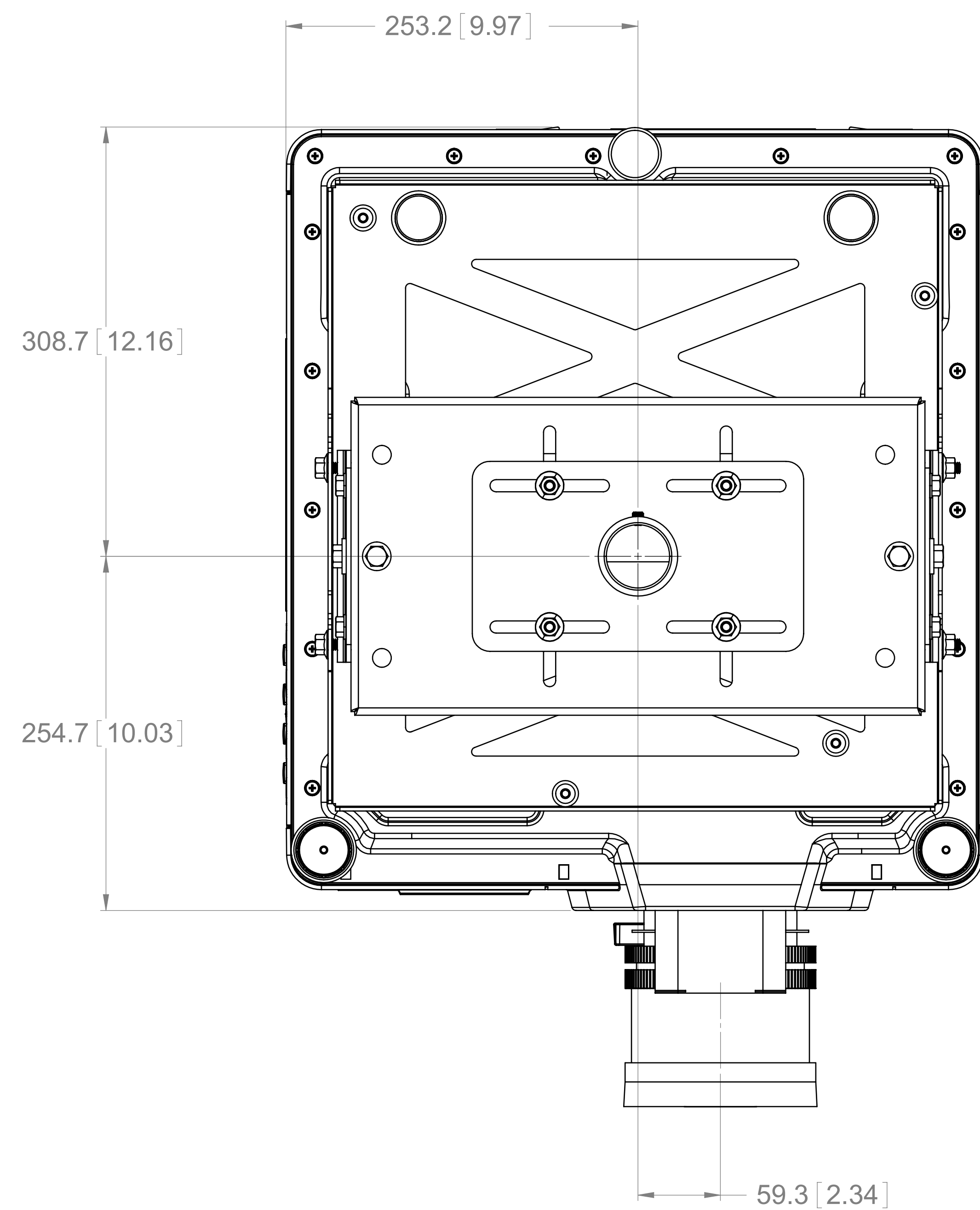
ISOMETRIC VIEW



GENERAL NOTES:  
 MASS: 25 kg (55 lbs) WITHOUT PROJECTION LENS  
 AMBIENT AIR TEMPERATURE: 5°C (41°F) TO 40°C (104°F)

LENS	DIMENSION 'A'	DIMENSION 'B'	DIMENSION 'C'
SXGA+ 0.73:1 HD 0.67:1	217mm [8.54"]	261mm [10.27"]	779mm [30.66"]
SXGA+ 1.2:1 HD 1.1:1	281mm [11.06"]	325mm [12.79"]	843mm [33.18"]
SXGA+ 1.25-1.6:1 HD 1.16-1.49:1	238 mm [9.37"]	282 mm [11.10"]	800 mm [31.49"]
SXGA+ 1.5-2.0:1 HD 1.4-1.8:1	206mm [8.11"]	250mm [9.84"]	768mm [30.23"]
SXGA+ 2.0-2.8:1 HD 1.8-2.6:1	171mm [6.73"]	215mm [8.46"]	733mm [28.85"]
SXGA+ 2.8-4.5:1 HD 2.6-4.1:1	157mm [6.18"]	201mm [7.91"]	719mm [28.30"]
SXGA+ 4.5-7.5:1 HD 4.1-6.9:1	141mm [5.51"]	185mm [7.28"]	703mm [27.62"]
SXGA+ 7.5-11:1 HD 6.9-10.4:1	201mm [7.91"]	245mm [9.64"]	763mm [30.03"]

UNITS: INCHES ( ) MILLIMETRES (X)	DRAWN BY: M. OPELA	CHRISTIE DIGITAL SYSTEMS USA, INC.
UNLESS OTHERWISE SPECIFIED INTERFERE DIMENSIONS AND TOLERANCES PER ASME Y14.5M-1994	DATE: 01/20/2009	CHRISTIE DIGITAL SYSTEMS CANADA, INC.
TOLERANCES APPLY AS SHOWN BELOW	APPROVED BY: L. PHEE	
DECIMAL PLACES: .XXX ±0.03, .XX ±0.13, .X ±0.25	APPROVAL DATE: 05/24/2011	
ANGULAR DIMENSIONS: XX' ±1.0°, XX.X' ±0.5°	PROPRIETARY: NOT TO BE DISCLOSED OR REPRODUCED IN ANY MANNER WITHOUT THE EXPRESS WRITTEN PERMISSION OF CHRISTIE	PART DESCRIPTION: M-SERIES LINE DRAWING
	THIRD ANGLE PROJECTION	SIZE: E PART NUMBER: 020-100192-01
		SCALE: 1:2.5 MASS: - LBS (- KG) SHEET 1 OF 5

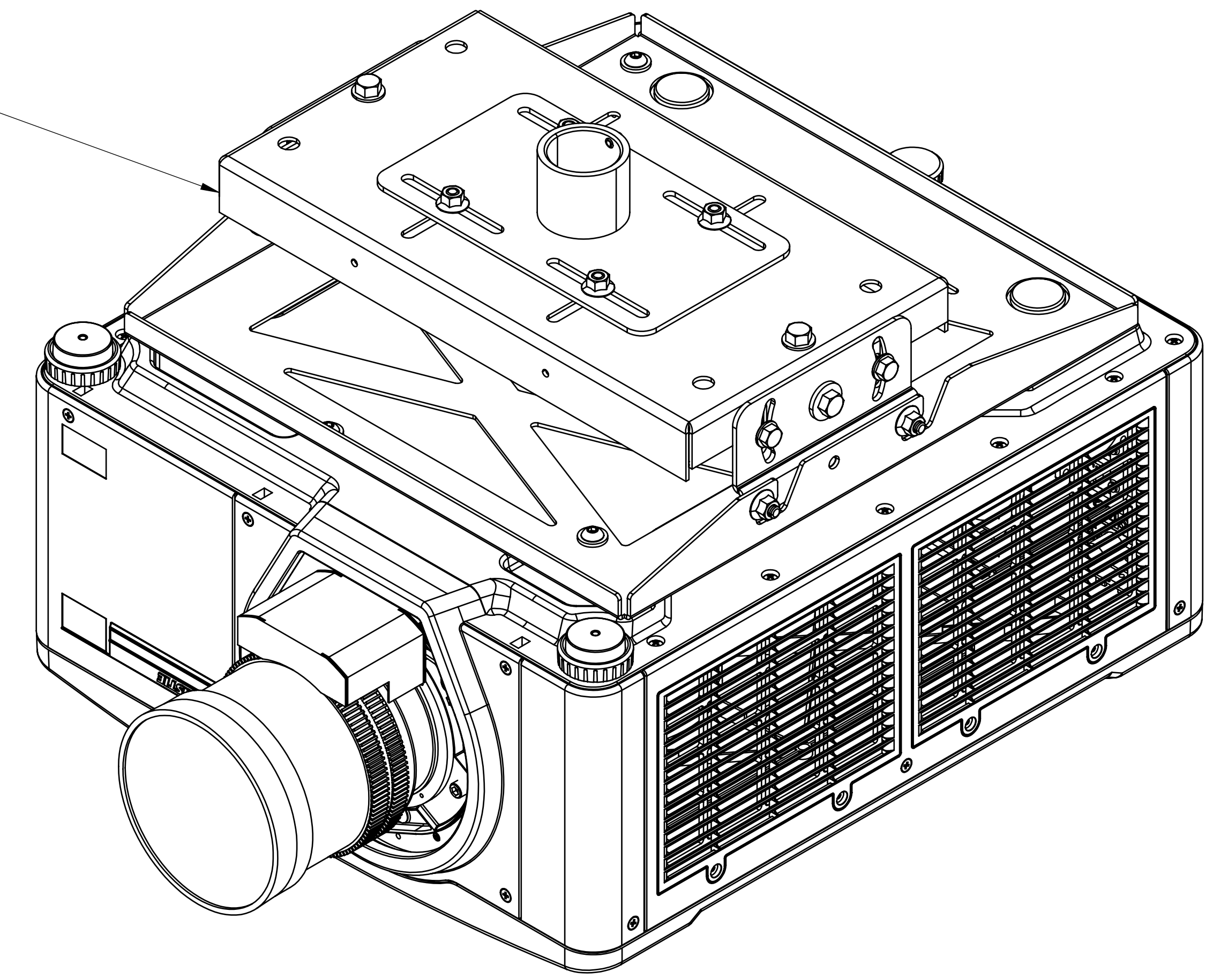


### CEILING MOUNT M-SERIES 118-100108-01

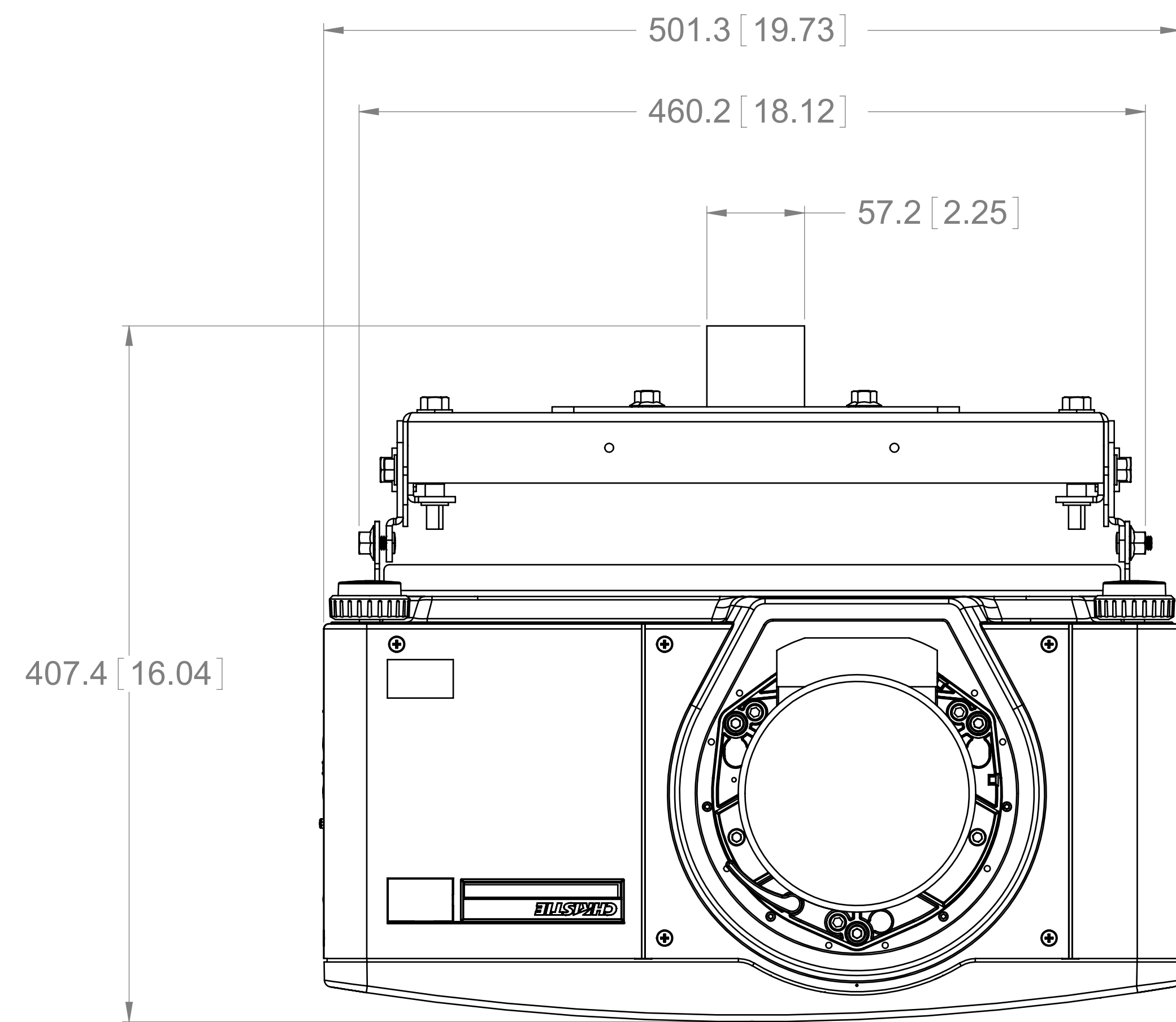


CEILING MOUNT SPECIFICATION	
ROLL	± 5°
PITCH	± 20°
YAW	360°
COLOUR	BLACK
WEIGHT CAPACITY	250 lbs (113.6 kg)
X AXIS MOTION RANGE	77.2 mm (3.04")
Y AXIS MOTION RANGE	77.2 mm (3.04")

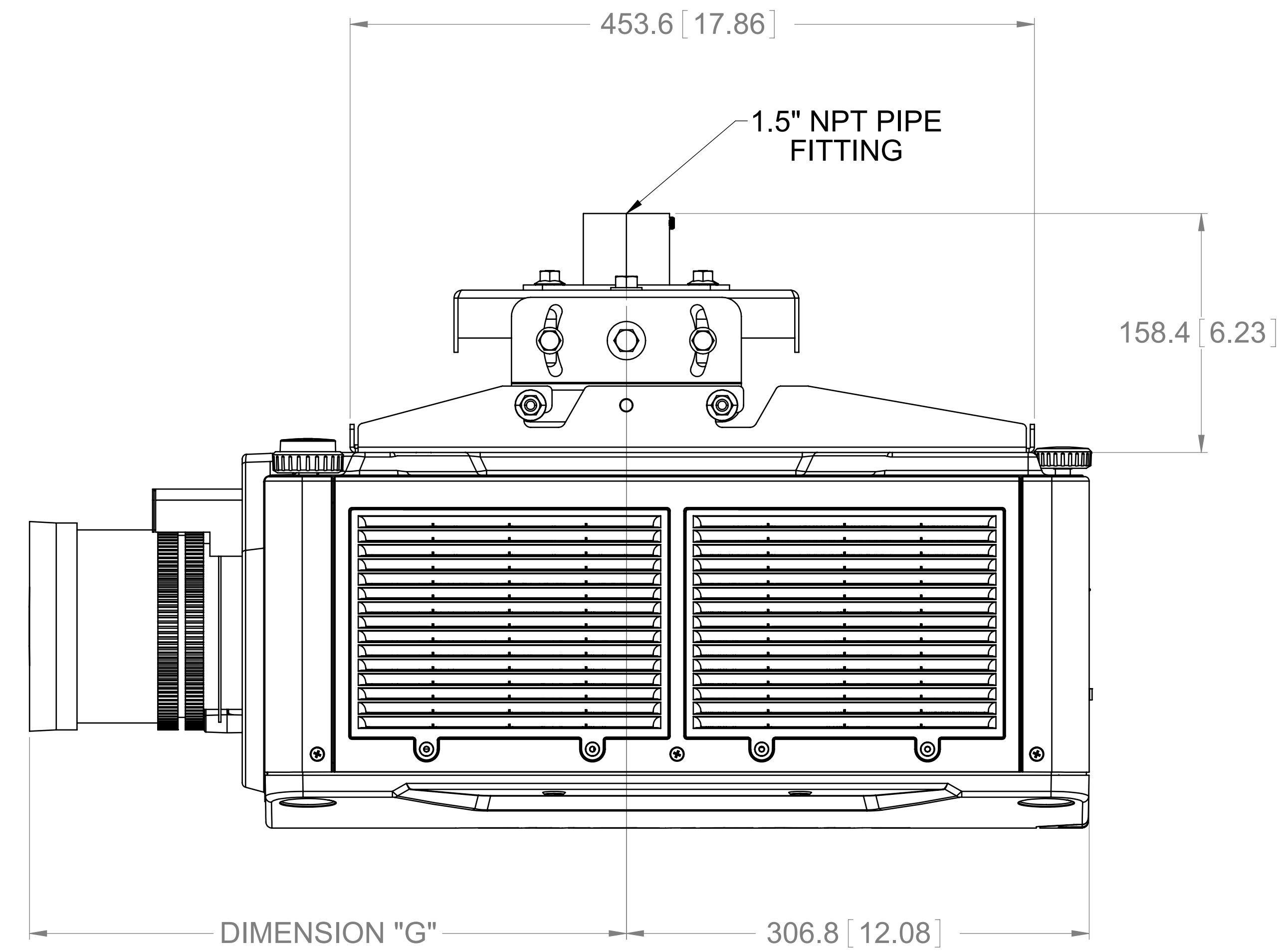
**NOTE:** 1/2" WRENCH REQUIRED FOR ADJUSTMENT OF AXES AND ANGLE POSITIONS



**ISOMETRIC VIEW**

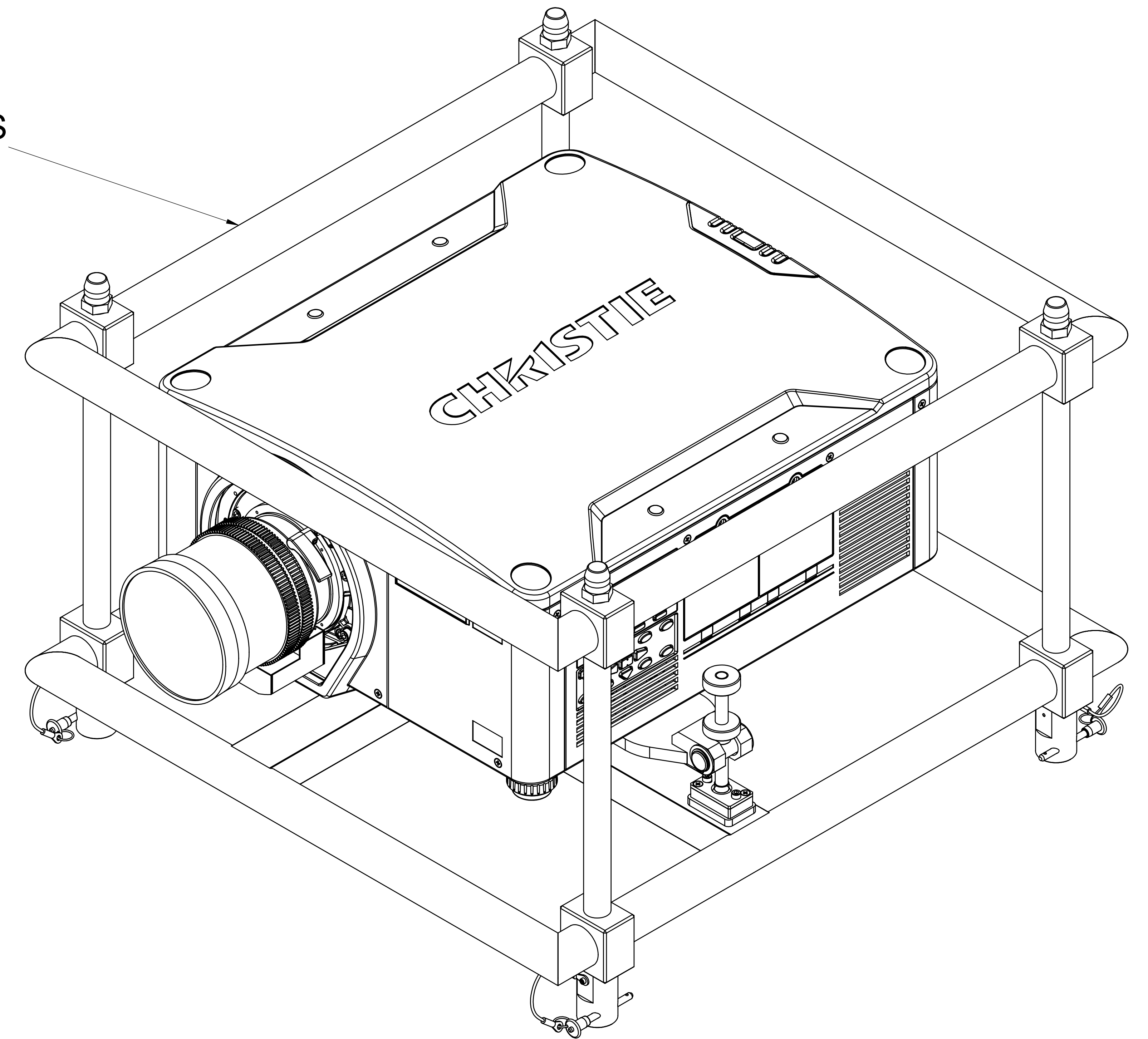
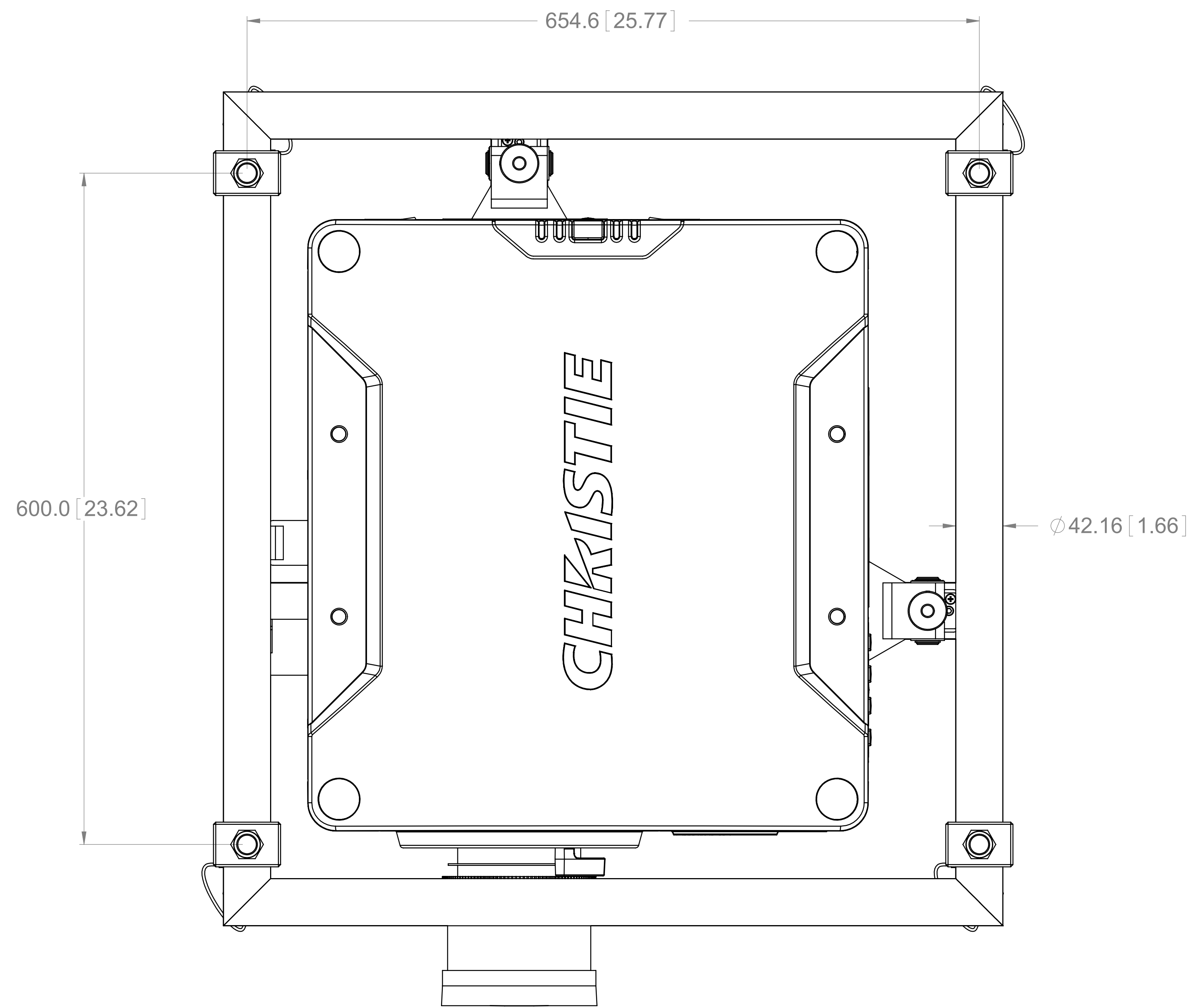


OFFICIALLY RELEASED  
Document Control  
June 8, 2011



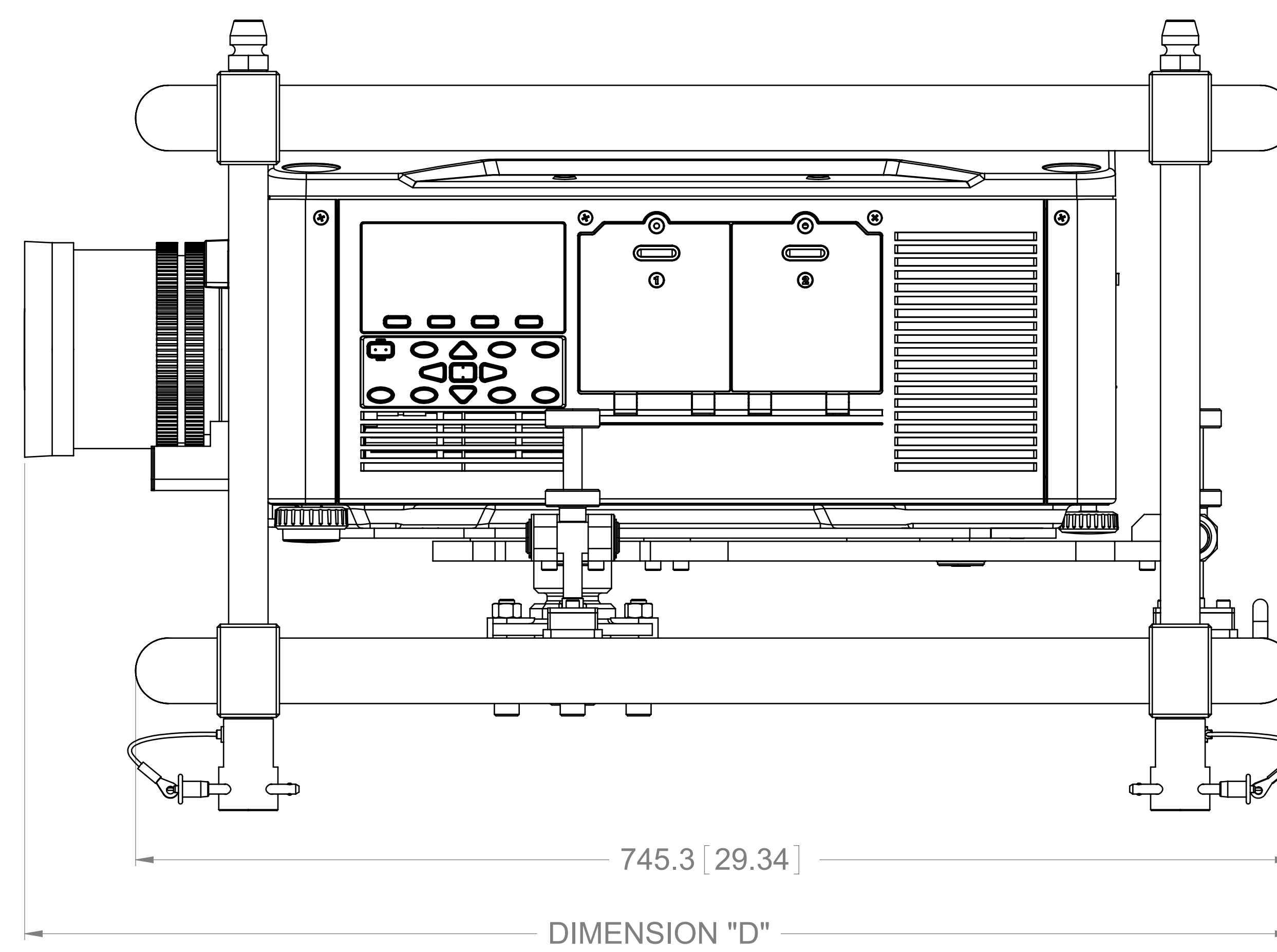
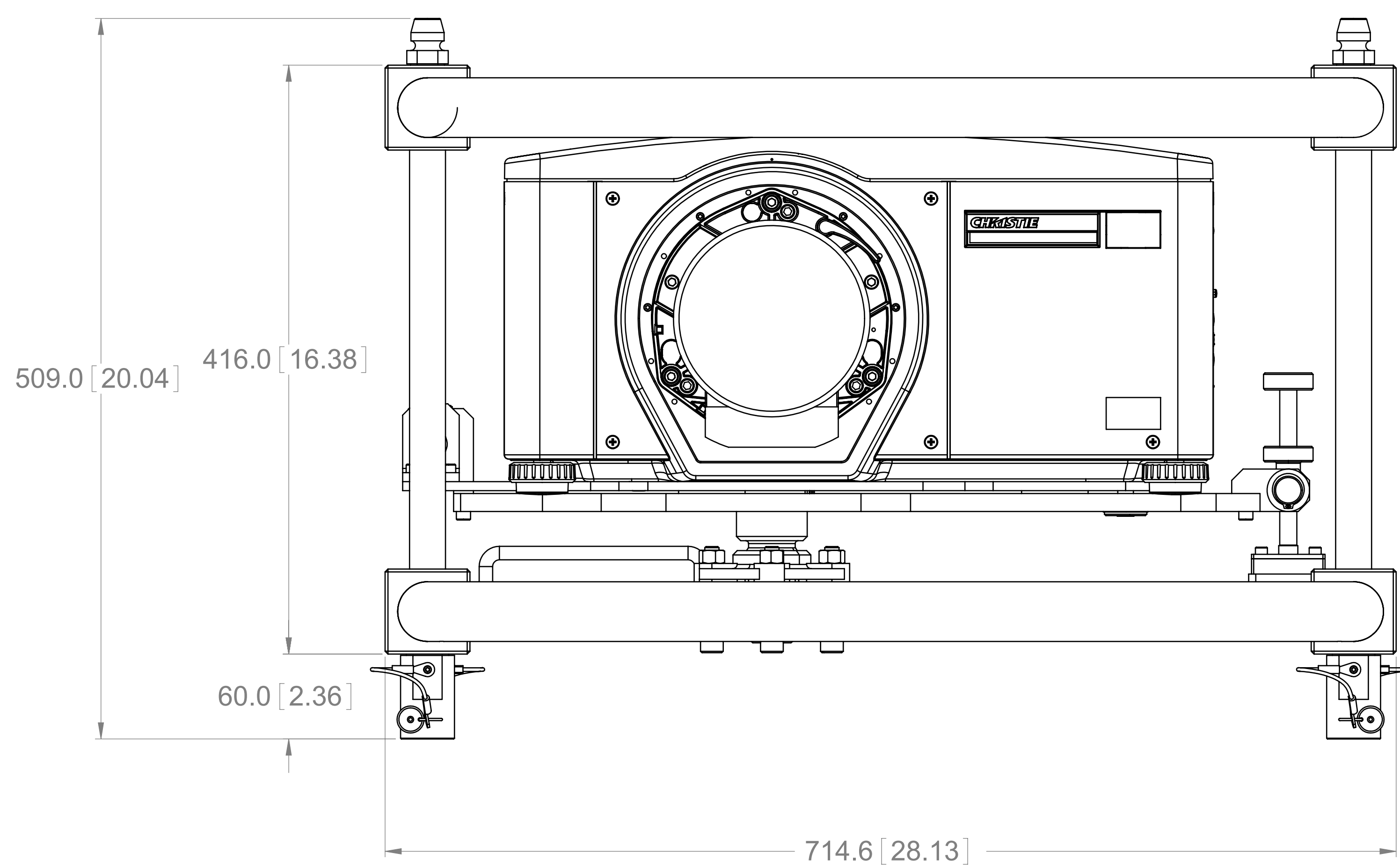
LENS	DIMENSION "G"
SXGA+ 0.73:1 HD 0.62:1	585mm [23.05"]
SXGA+ 1.2:1 HD 1.1:1	649mm [25.48"]
SXGA+ 1.25-1.6:1 HD 1.16-1.49:1	606mm [23.90"]
SXGA+ 1.5-2.0:1 HD 1.4-1.8:1	574mm [22.64"]
SXGA+ 2.0-2.8:1 HD 1.8-2.6:1	539mm [21.26"]
SXGA+ 2.8-4.5:1 HD 2.6-4.1:1	525mm [20.70"]
SXGA+ 4.5-7.5:1 HD 4.1-6.9:1	509mm [20.07"]
SXGA+ 7.5-11:1 HD 6.9-10.4:1	569mm [22.42"]

STACKING FRAME M-SERIES  
118-100107-01

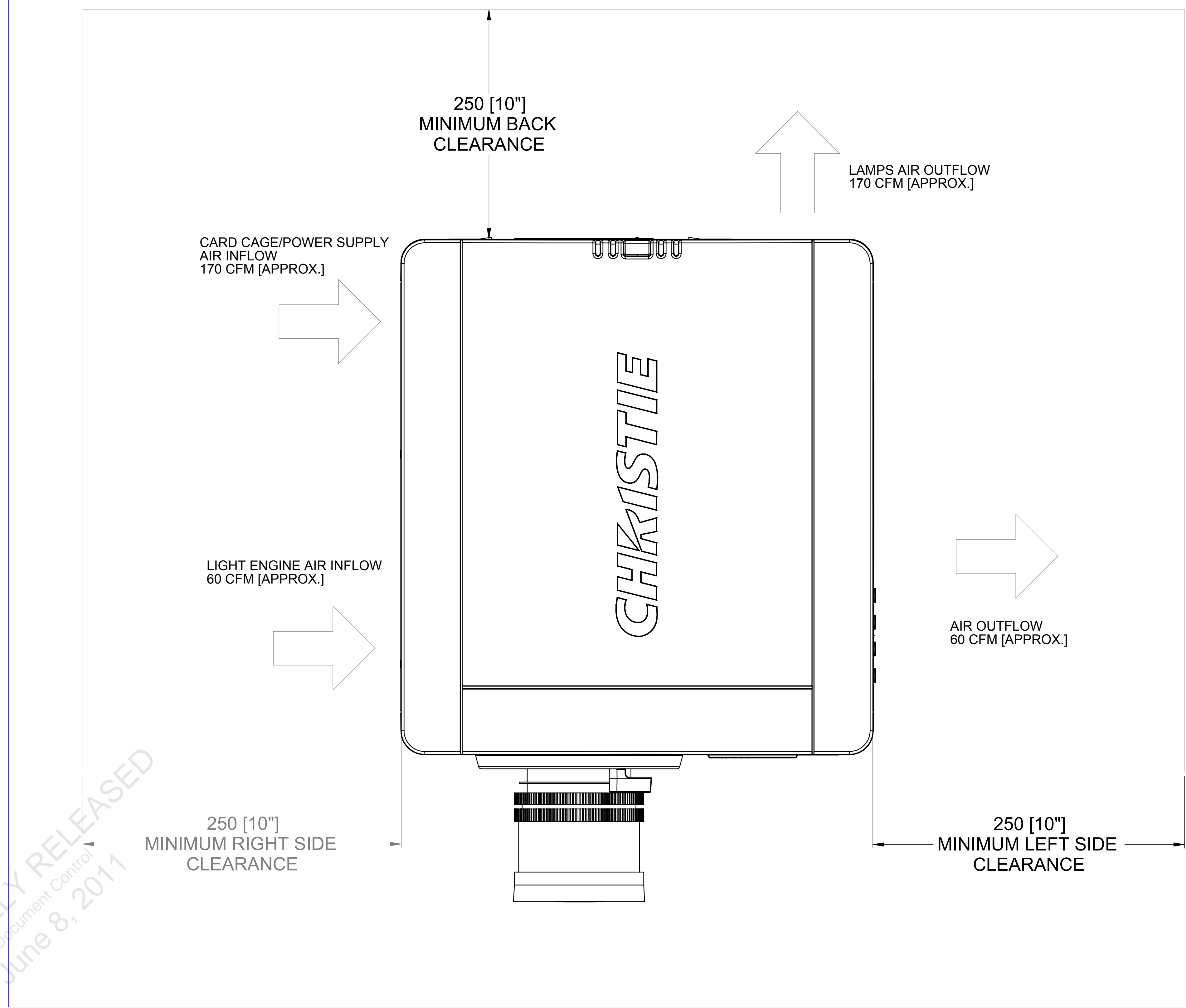
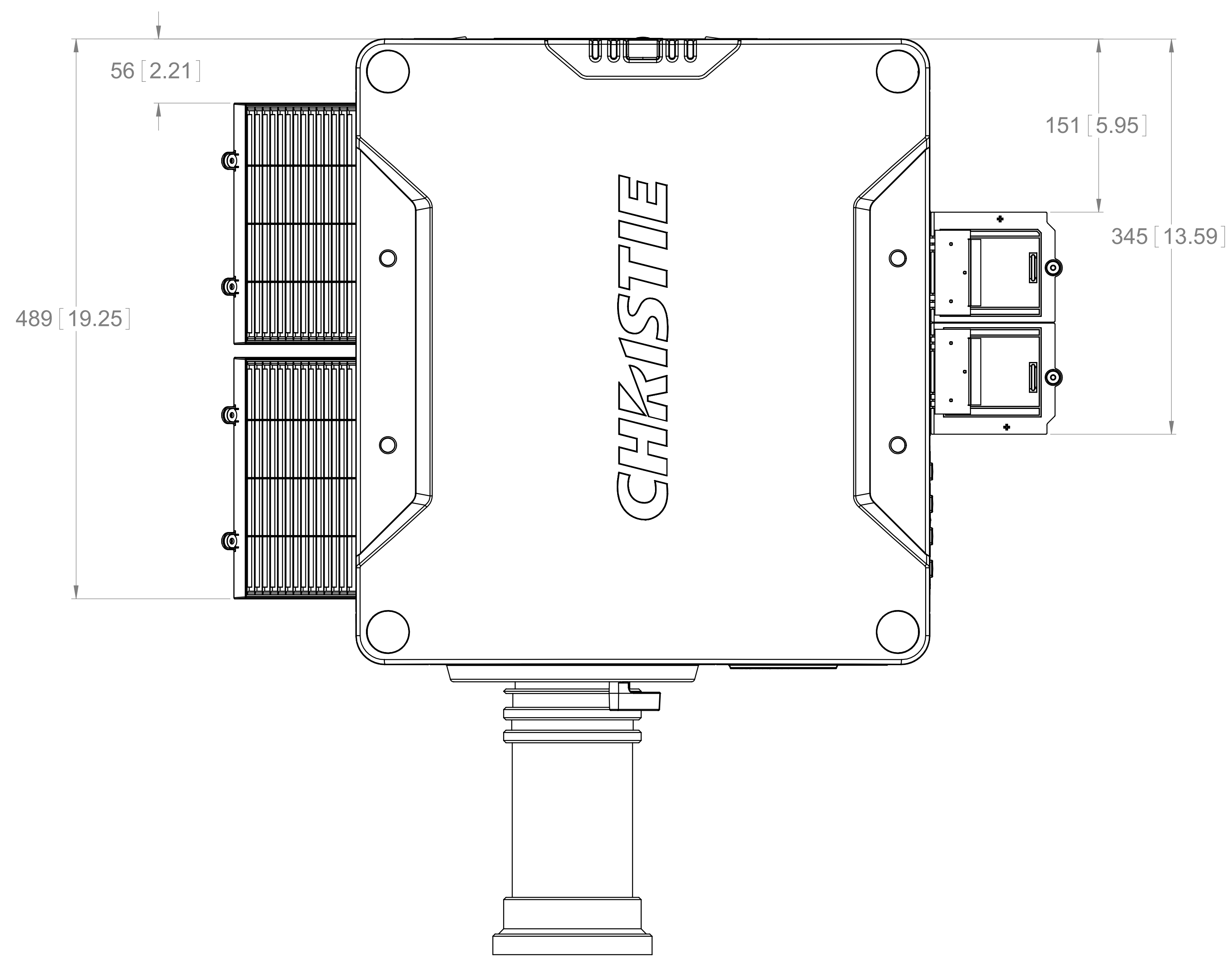


ISOMETRIC VIEW

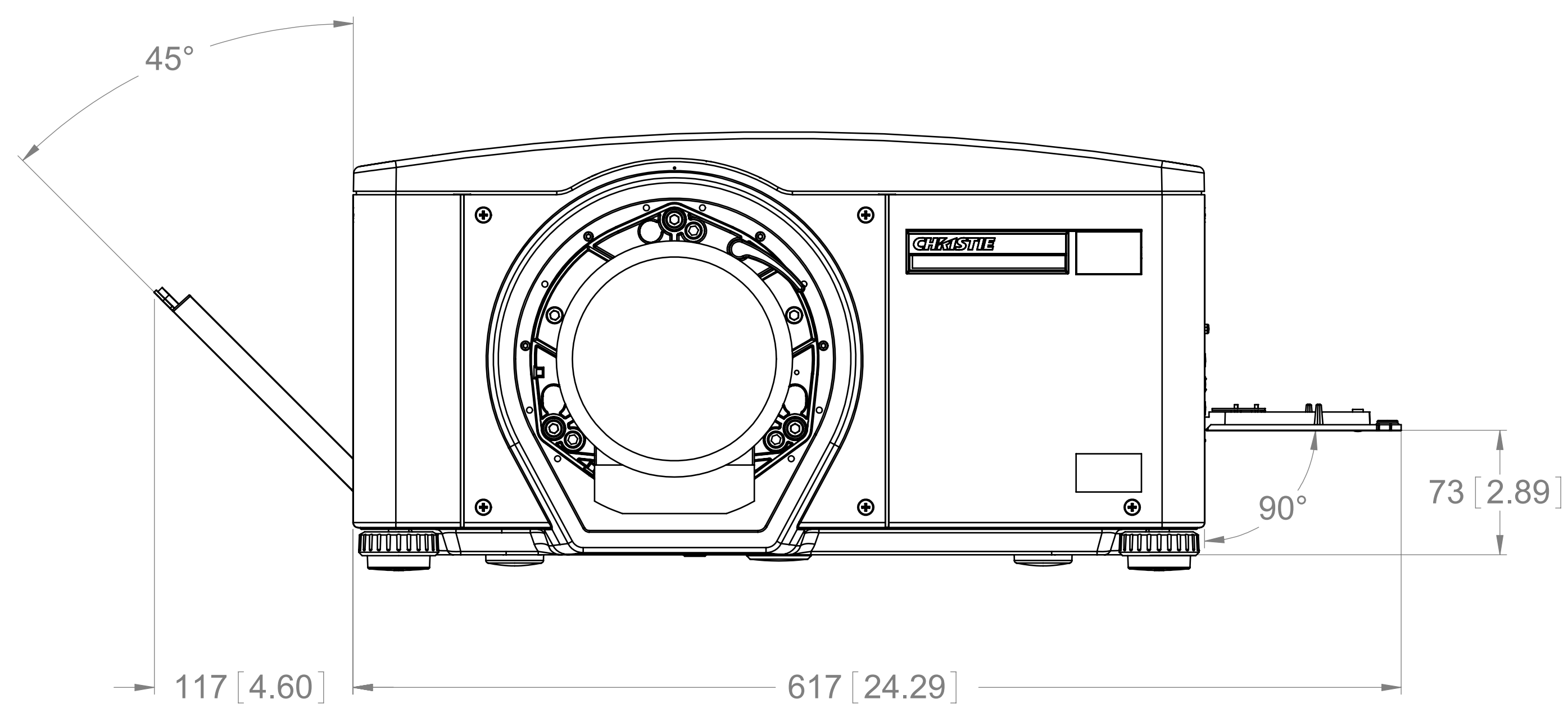
OFFICIALLY RELEASED  
Document Control  
June 8, 2011

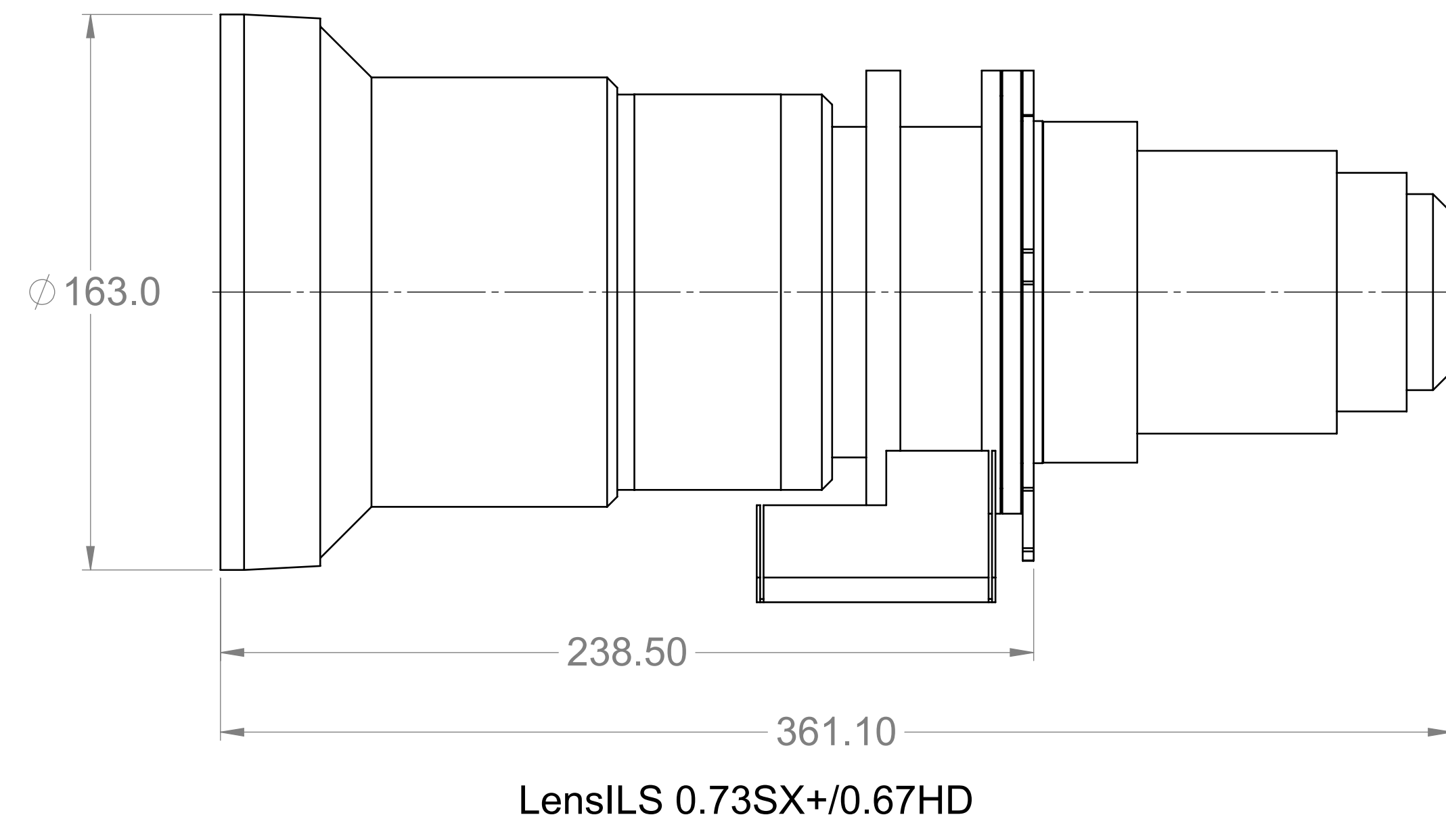


LENS	DIMENSION "D"
SXGA+ 0.73:1 HD 0.67:1	892 mm [35.13"]
SXGA+ 1.2:1 HD 1.1:1	956 mm [37.56"]
SXGA+ 1.25-1.6:1 HD 1.16-1.49:1	913 mm [35.98"]
SXGA+ 1.5-2.0:1 HD 1.4-1.8:1	881 mm [34.72"]
SXGA+ 2.0-2.8:1 HD 1.8-2.6:1	846 mm [33.34"]
SXGA+ 2.8-4.5:1 HD 2.6-4.1:1	832 mm [32.78"]
SXGA+ 4.5-7.5:1 HD 4.1-6.9:1	816 mm [32.15"]
SXGA+ 7.5-11:1 HD 6.9-10.4:1	876 mm [34.50"]

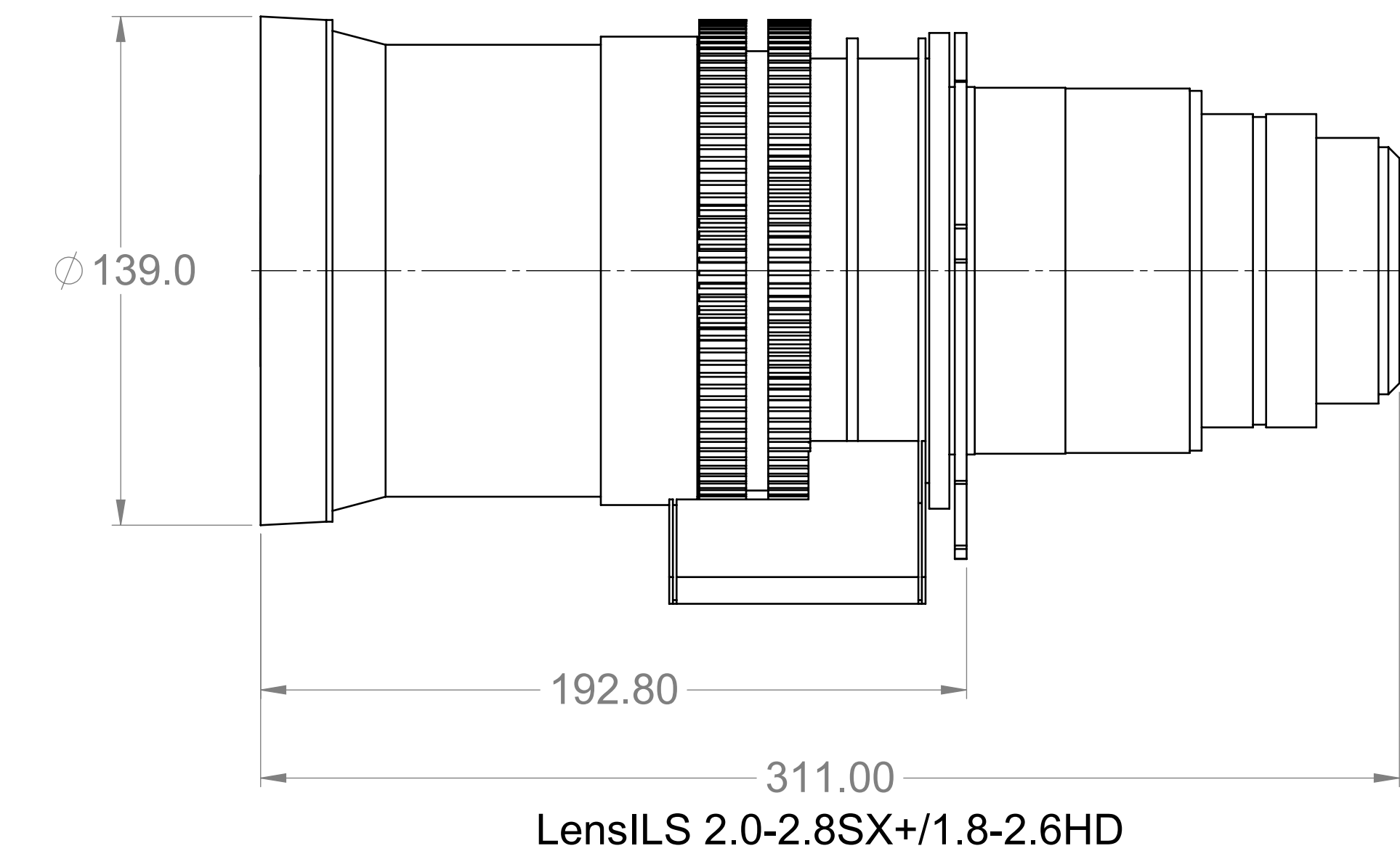


OFFICIALLY RELEASED  
 Document Control  
 June 8, 2011

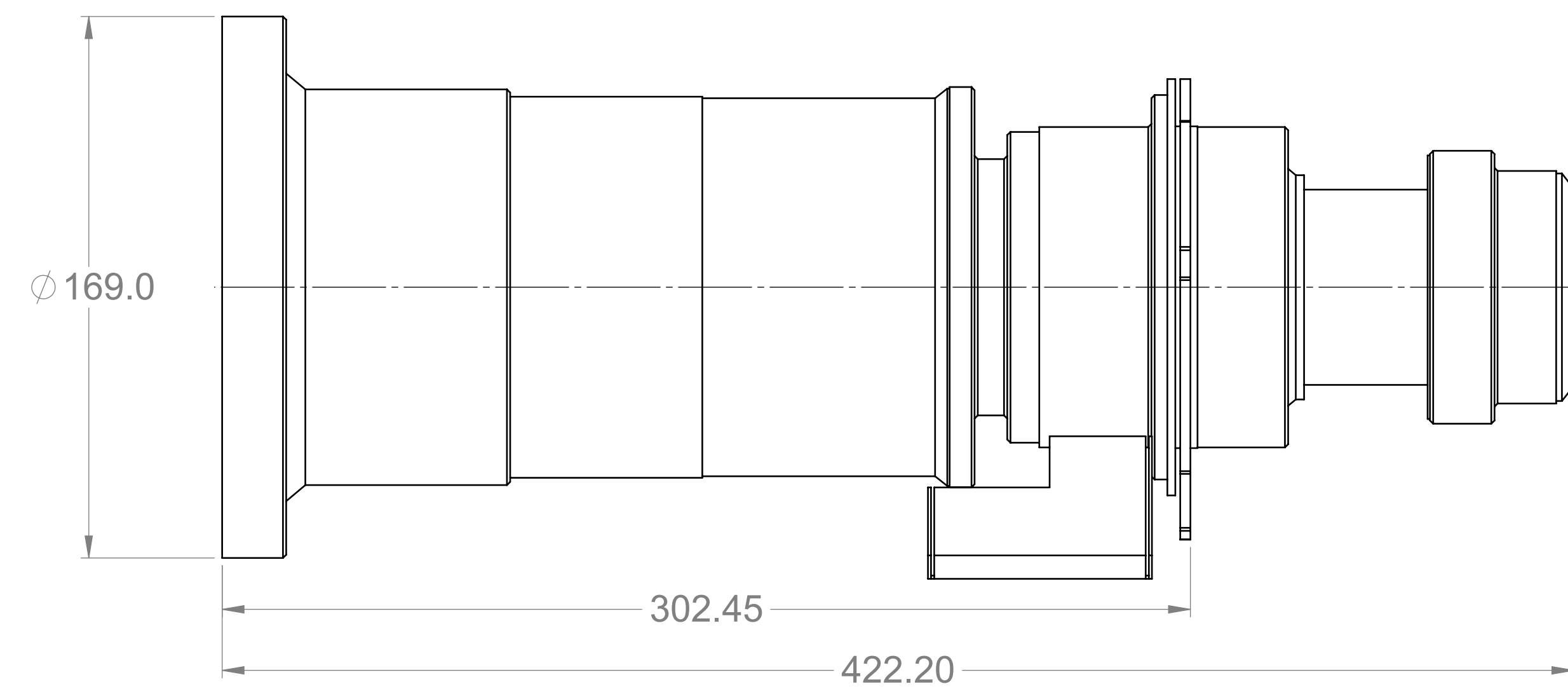




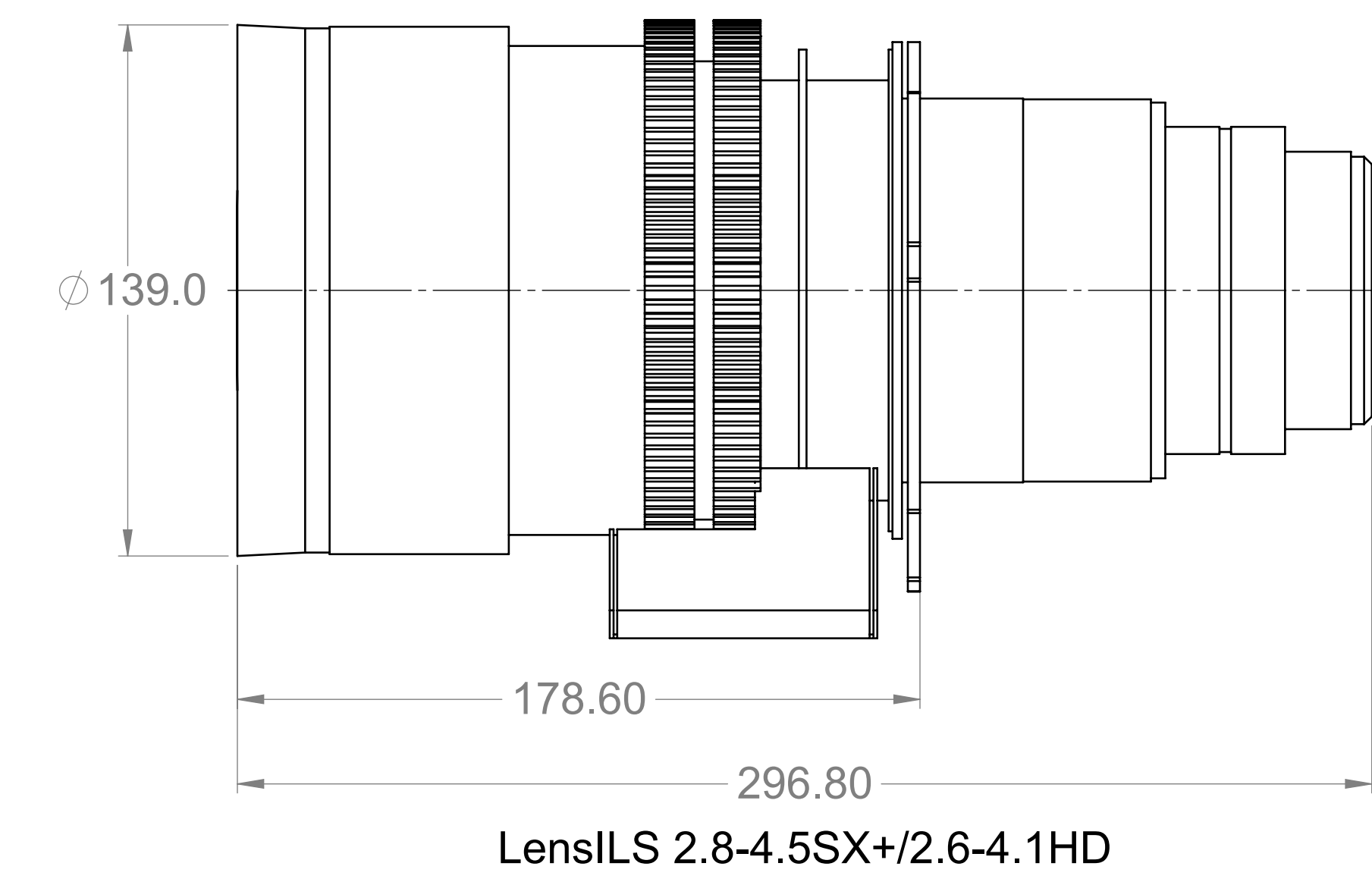
Lens ILS 0.73SX+/0.67HD



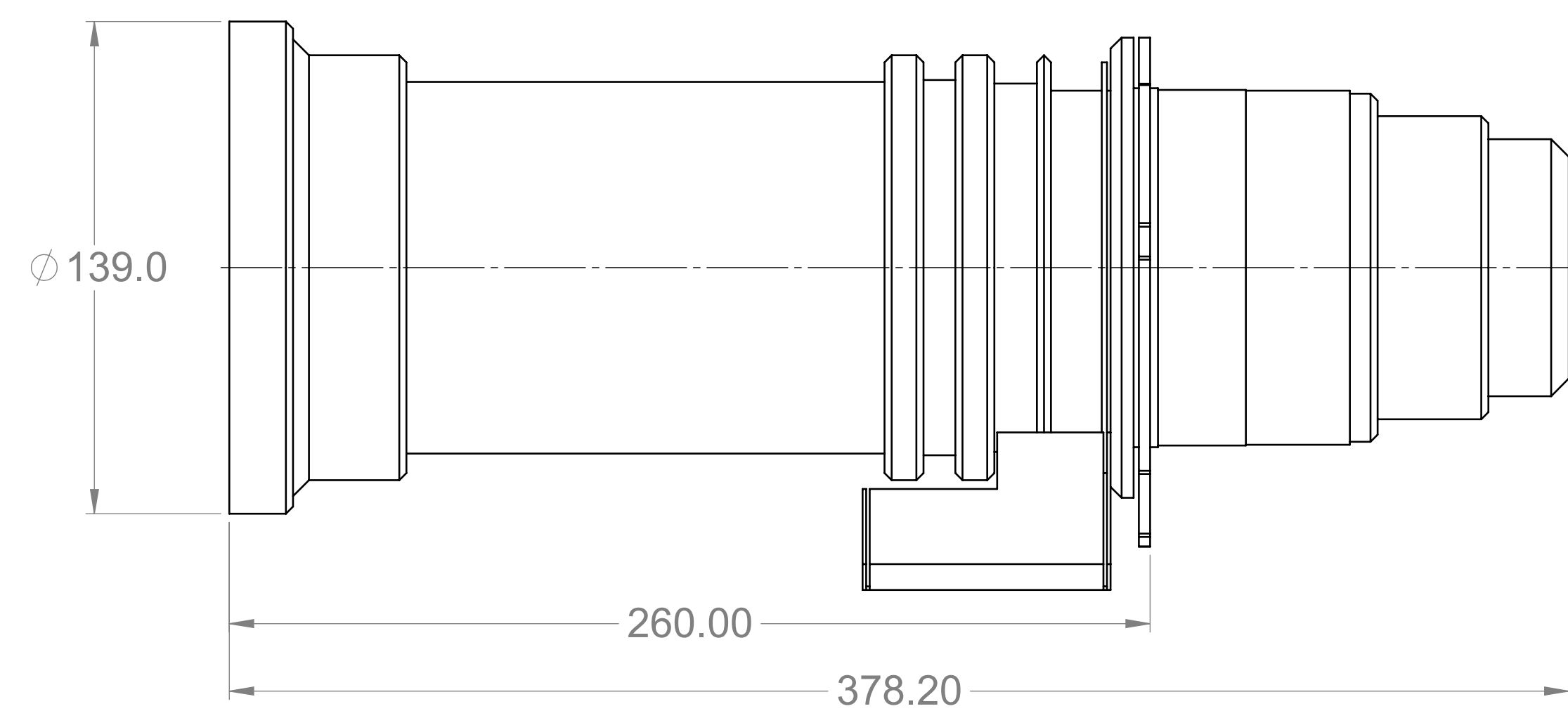
Lens ILS 2.0-2.8SX+/1.8-2.6HD



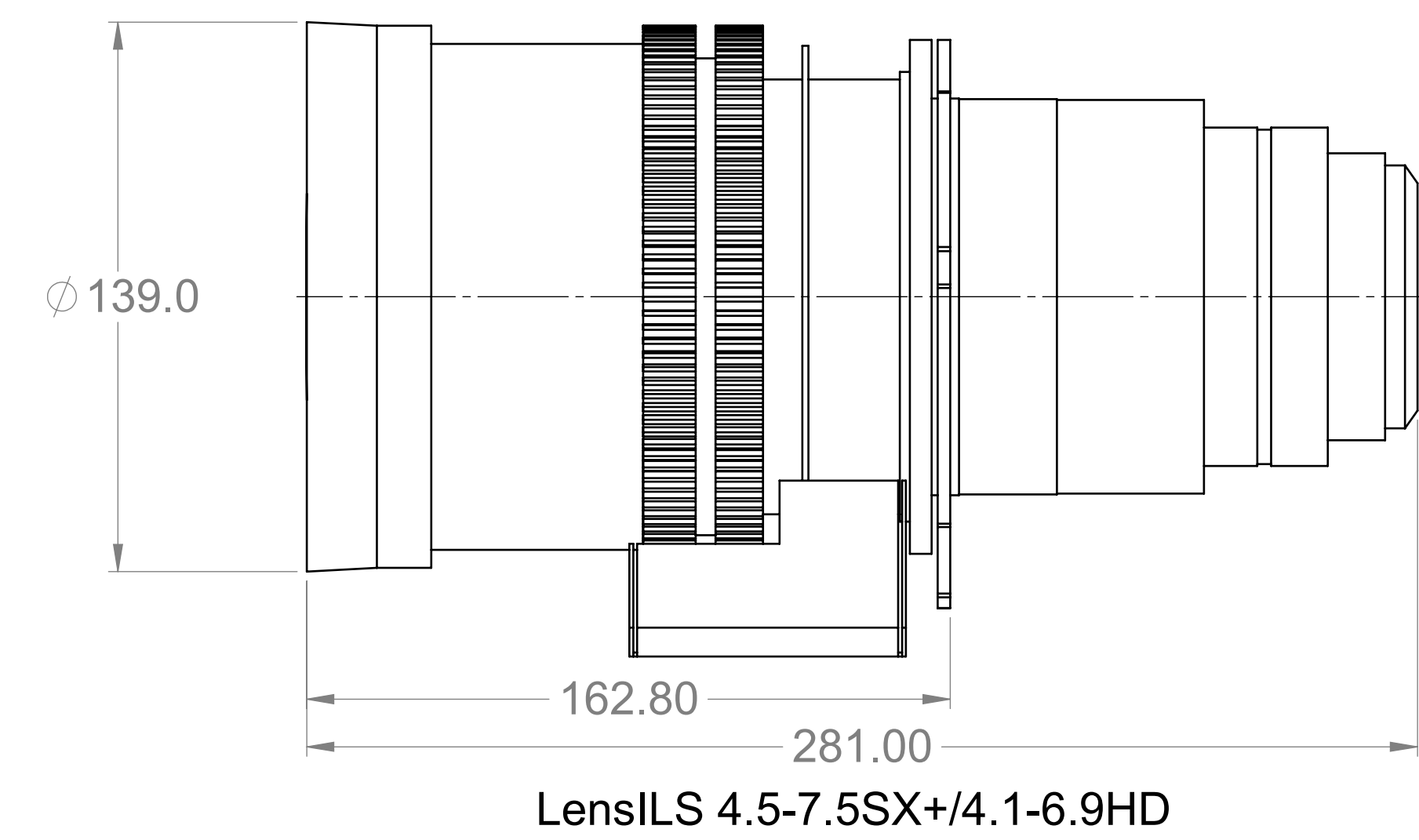
Lens ILS 1.2SX+/1.1HD



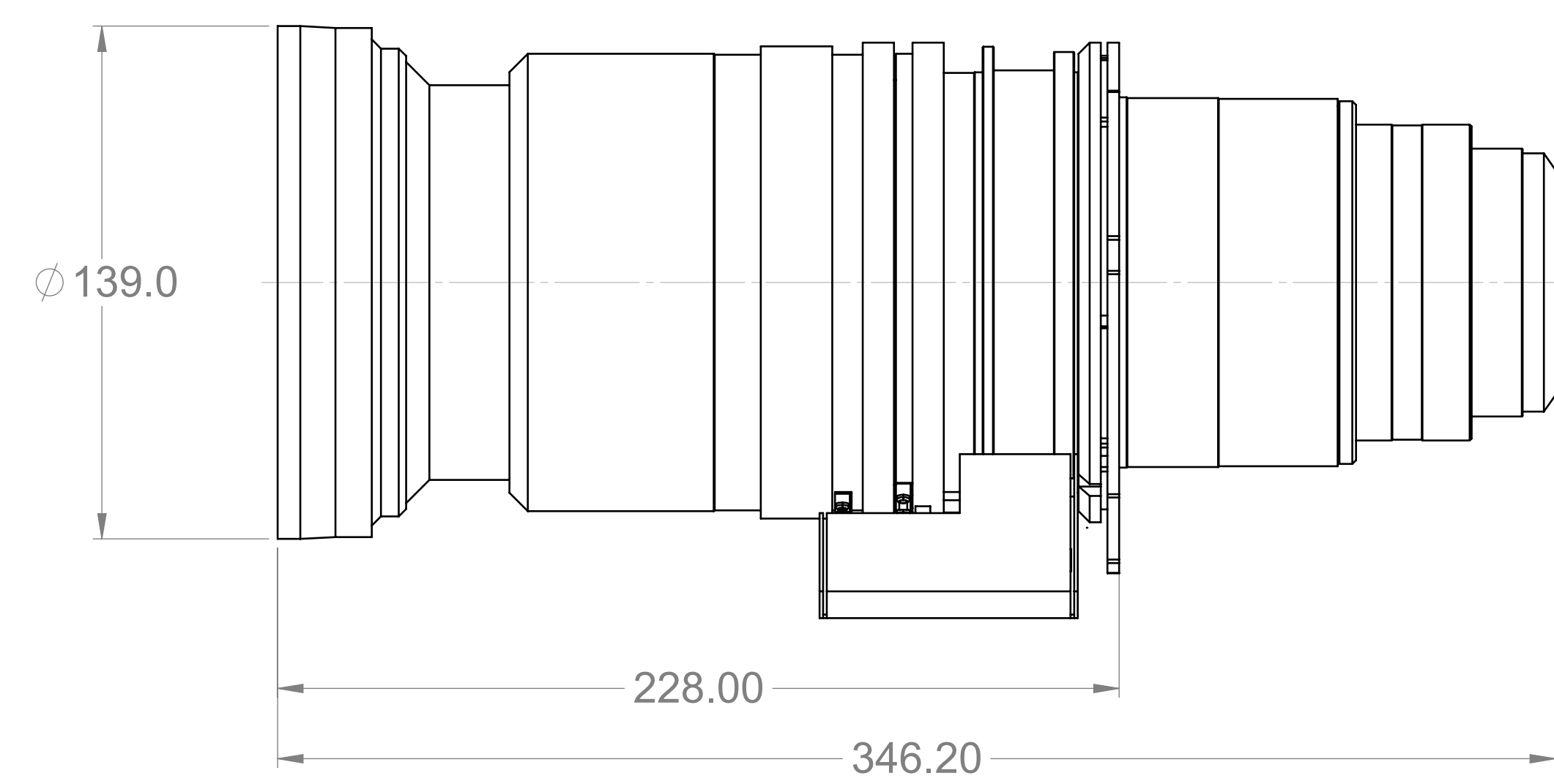
Lens ILS 2.8-4.5SX+/2.6-4.1HD



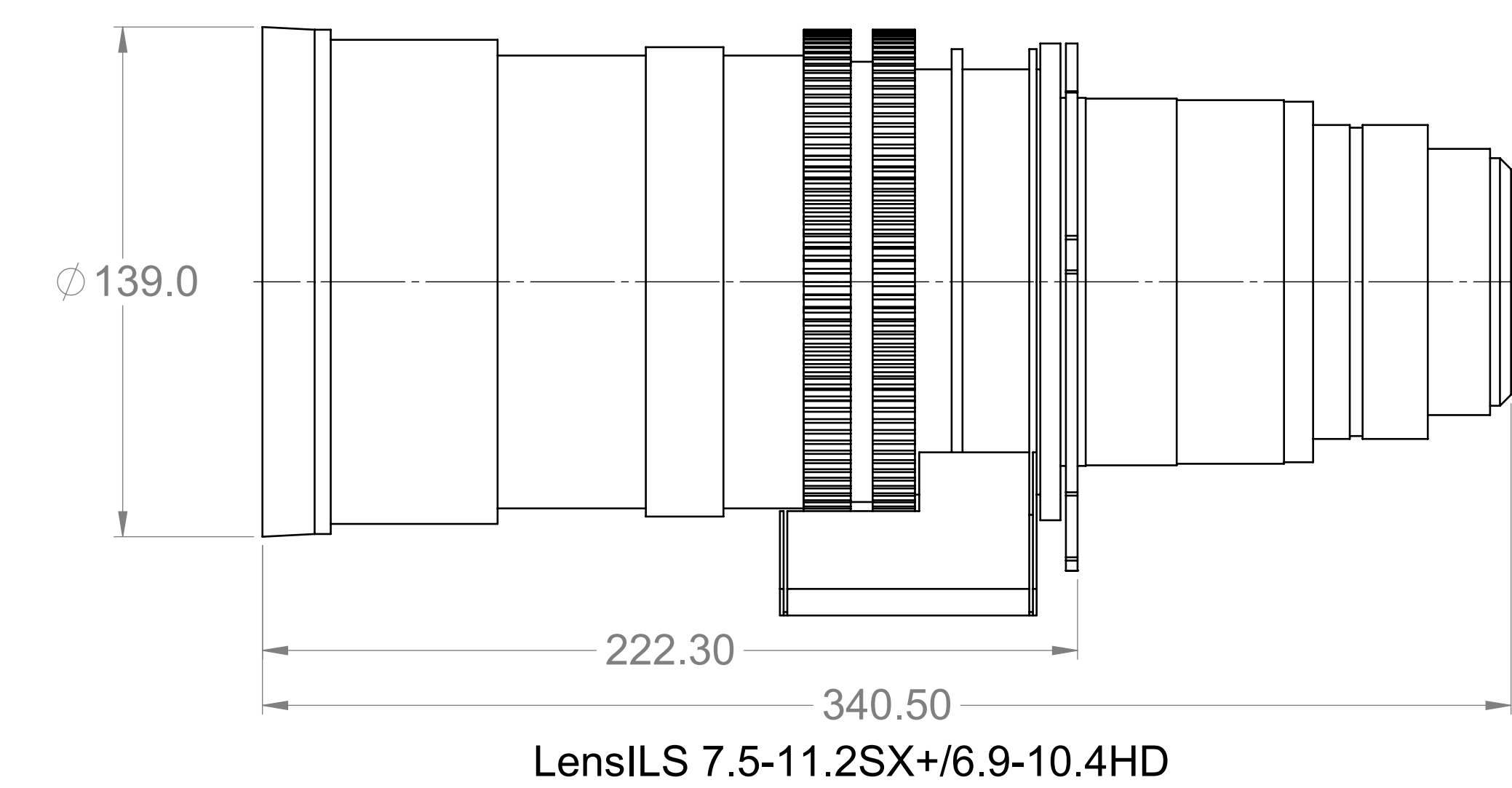
Lens ILS 1.25-1.6SX+/1.16-1.49HD



Lens ILS 4.5-7.5SX+/4.1-6.9HD

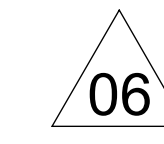


Lens ILS 1.5-2.0SX+/1.4-1.8HD



Lens ILS 7.5-11.2SX+/6.9-10.4HD

LENS	MASS
SXGA+ 0.73:1 HD 0.67:1	12.34 LBS[5.60Kg]
SXGA+ 1.2:1 HD 1.1:1	13.65 LBS[6.19Kg]
SXGA+ 1.25-1.6:1 HD 1.16-1.49:1	13.91 LBS[6.31Kg]
SXGA+ 1.5-2.0:1 HD 1.4-1.8:1	13.25 LBS[6.01Kg]
SXGA+ 2.0-2.8:1 HD 1.8-2.6:1	10.96 LBS[4.97Kg]
SXGA+ 2.8-4.5:1 HD 2.6-4.1:1	11.40 LBS[5.17Kg]
SXGA+ 4.5-7.5:1 HD 4.1-6.9:1	8.33 LBS[3.78Kg]
SXGA+ 7.5-11:1 HD 6.9-10.4:1	11.23 LBS[5.09Kg]



PROPRIETARY  
NOT TO BE DISCLOSED OR REPRODUCED IN  
ANY MANNER WITHOUT THE EXPRESS  
WRITTEN PERMISSION OF  
CHRISTIE

**CHRISTIE**  
CHRISTIE DIGITAL SYSTEMS USA, INC.  
CHRISTIE DIGITAL SYSTEMS CANADA, INC.

SIZE PART NUMBER  
**E**

020-100192-01  
SCALE 1:1.5 MASS - LBS (- KG) SHEET 5 OF 5

06